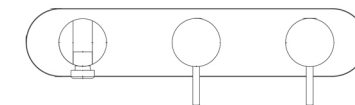


# Nva 10



## Nva 10 Concealed bath/shower mixer

QOOP

Stainless steel 316L



Flow rate aerator 5 l/min / 1.3 gpm, water saving



Product that needs built-in part

### MAINTENANCE

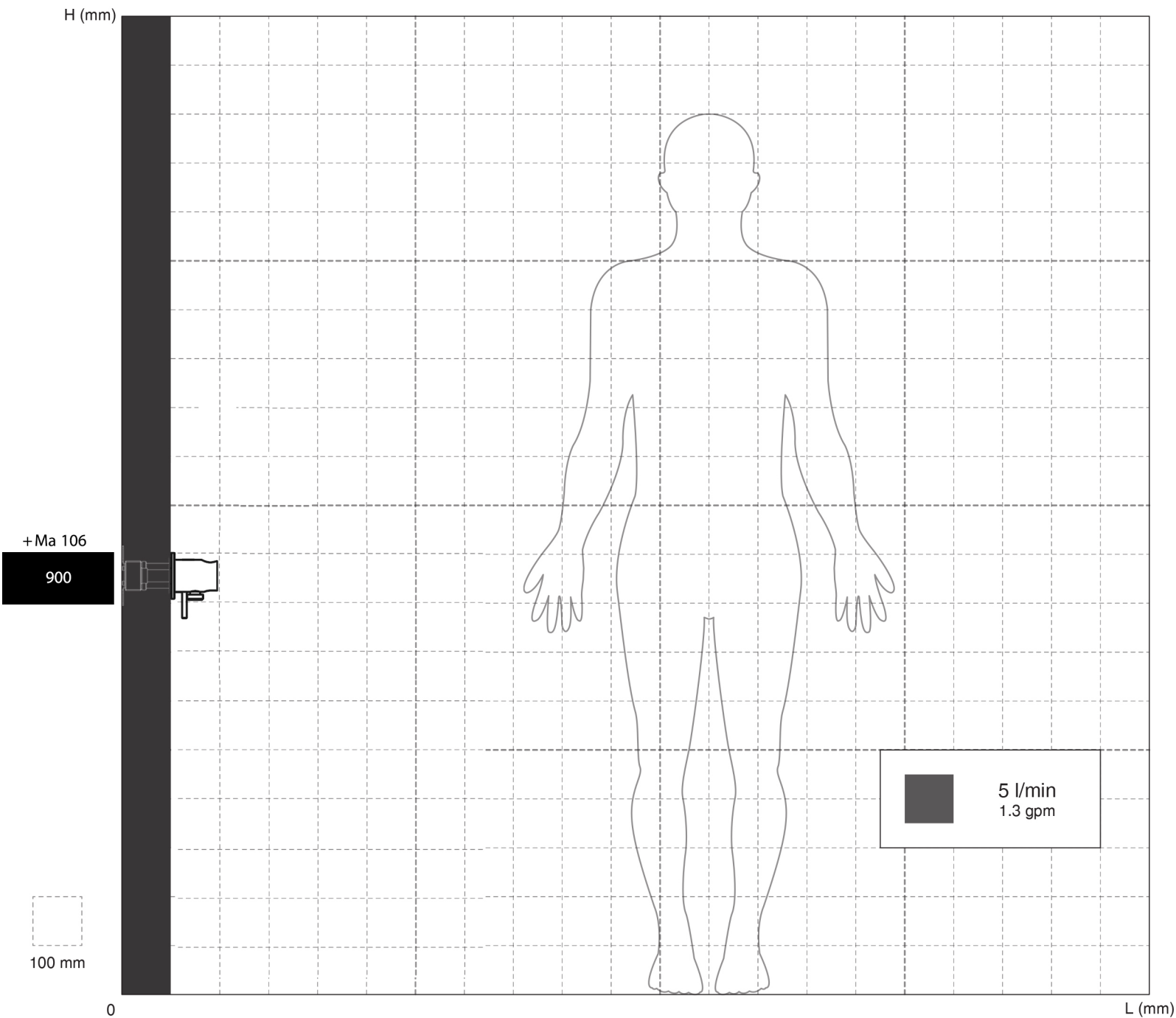
DO NOT USE		chloric and muriatic acid
		hydrofluoric acid
		chlorine bleach
TO USE		neutral pH detergent



# Nva 10

## INSTALLATION WARNINGS

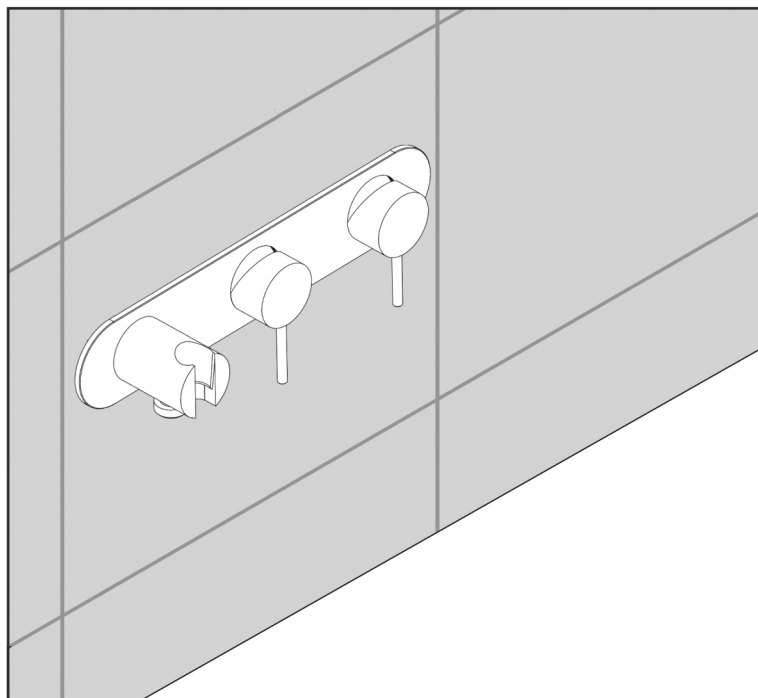
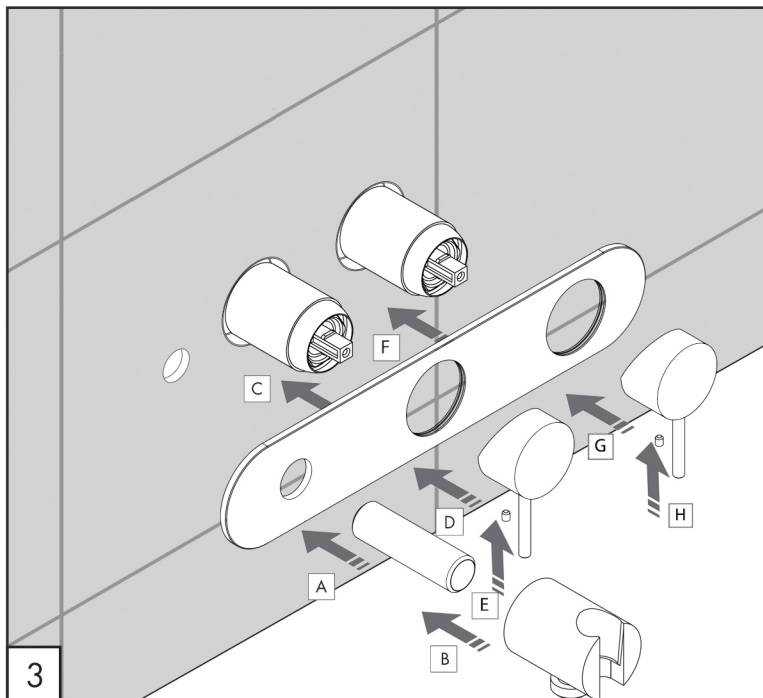
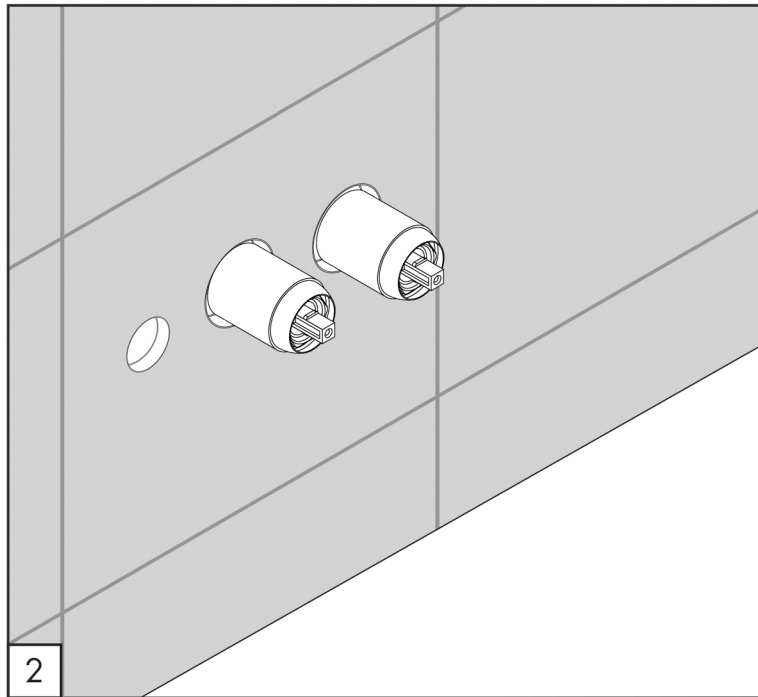
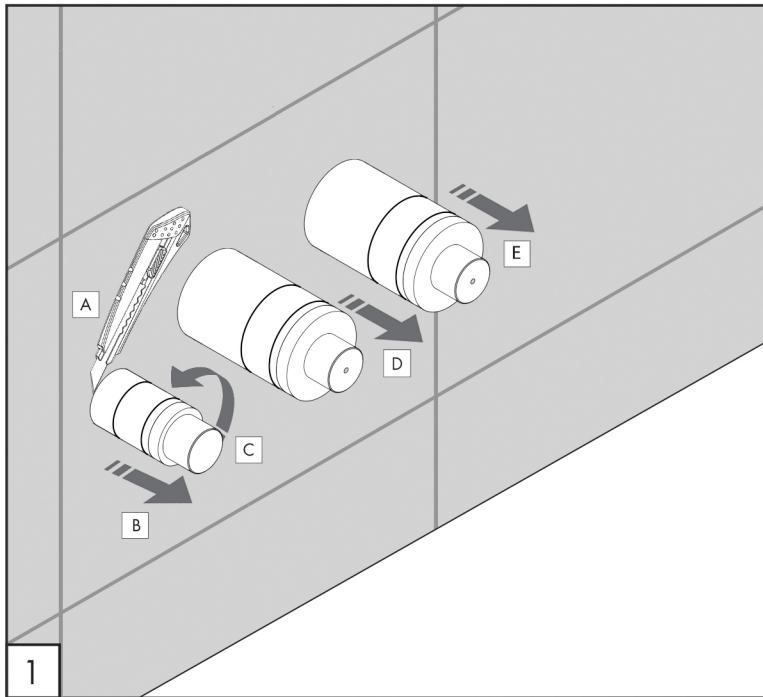
Each individual product has to be installed and adjusted to suit the user's and the washbasin height.  
The representation is purely indicative.



## AERATOR INCLUDED

 *Mounted aerator*  
5 l/min / 1.3 gpm







# Nva 10

## TECHNICAL WARNINGS

The pipes have to be rinsed thoroughly before installation.  
 Avoid pressure differences between hot and cold water supply.  
 Use of a pressure reducer when static pressure is higher than 5 bar to avoid damage of the cartridge.

## WORKING TEMPERATURE

 max. 70 °C  
 max. 158 °F

