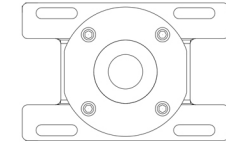


Ma 403



Ma 403

Stainless Steel 316 L

Internal part for floor mounted bath shower mixer



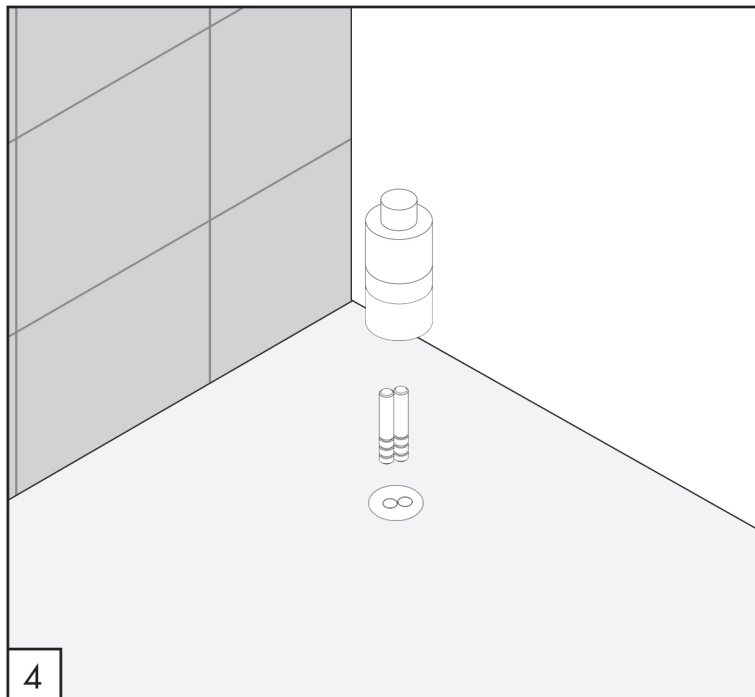
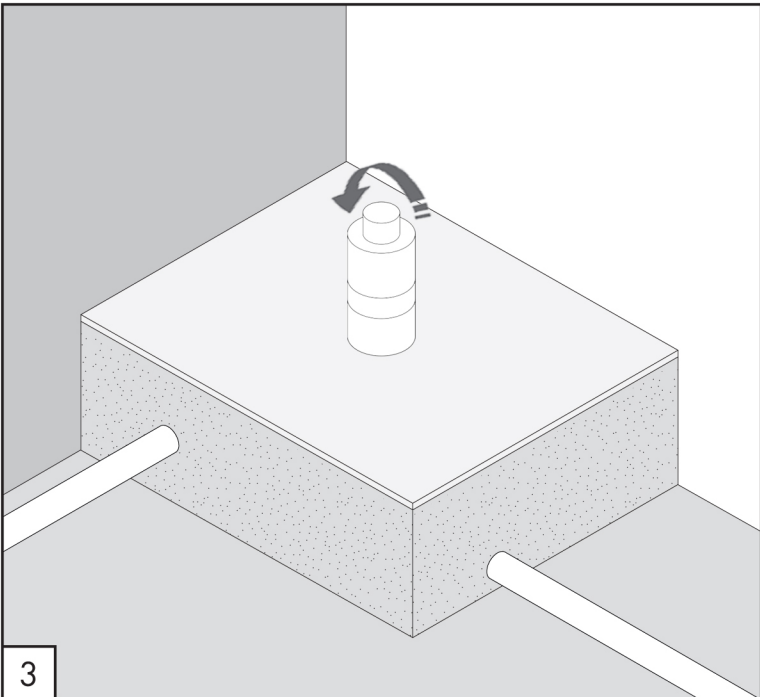
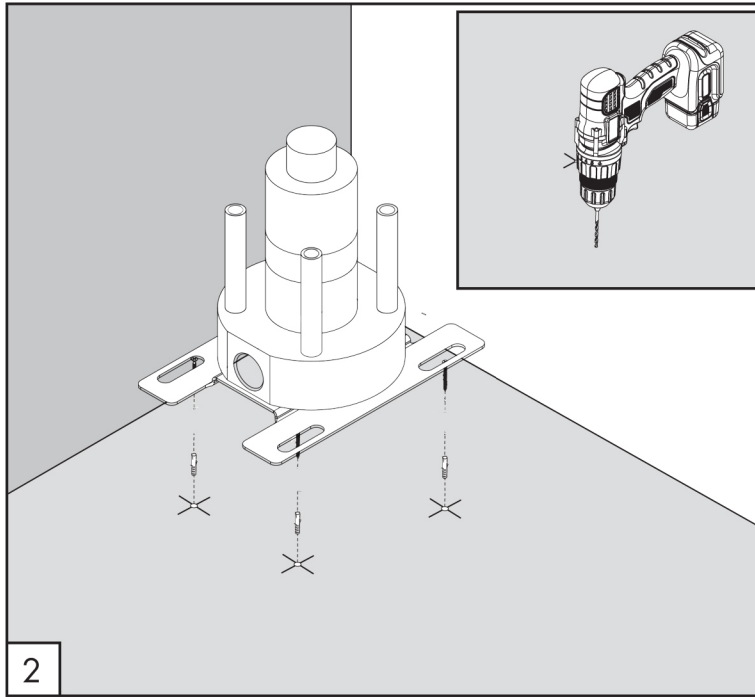
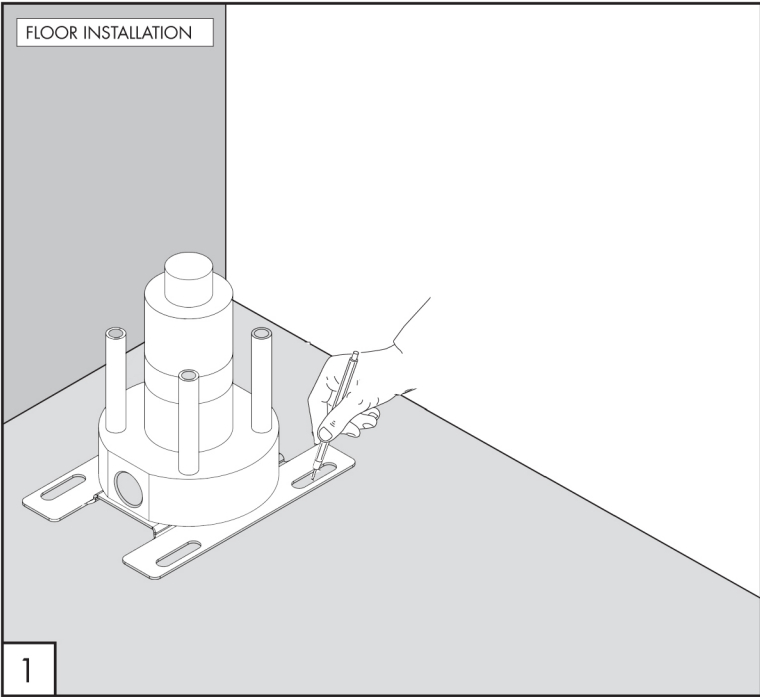
Flow rate aerator 5 l/min / 1.3 gpm, water saving

MAINTENANCE

DO NOT USE		<i>chloric and muriatic acid</i>
		<i>hydrofluoric acid</i>
		<i>chlorine bleach</i>
TO USE		<i>neutral pH detergent</i>



FLOOR INSTALLATION





Ma 403

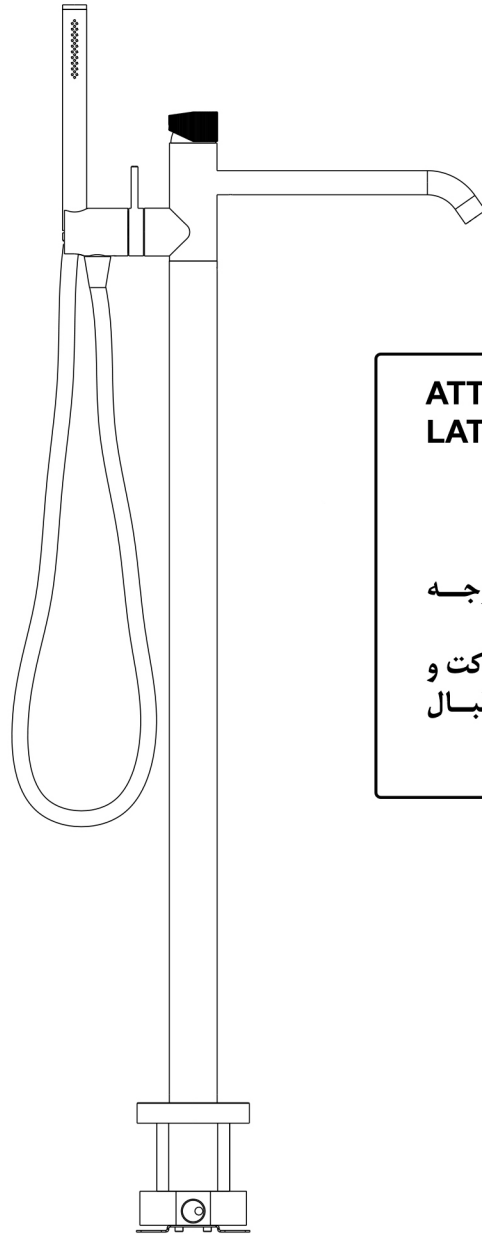
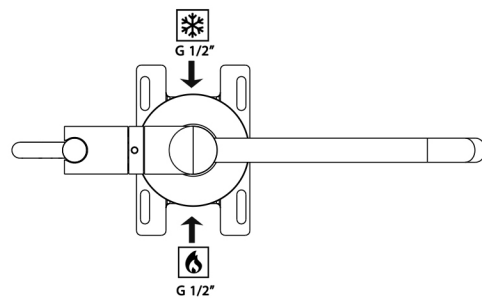
TECHNICAL WARNINGS

The pipes have to be rinsed thoroughly before installation.
Avoid pressure differences between hot and cold water supply.
Use of a pressure reducer when static pressure is higher than 5 bar to avoid damage of the cartridge.

WORKING TEMPERATURE

 max. 70 °C
 max. 158 °F





ATTENTION: DIRECTION OF INSTALLATION. FAUCET INSTALLATION DIRECTION

هشدار:
به جهت نصب تجهیزات داخل کار توجه فرمایید.
در صورت نصب در جهت اشتباه، شرکت و نماینده فروش هیچ گونه مسئولیتی در قبال کارکرد اشتباه شیر ندارند.

Ma 403

Ma 403
Stainless Steel 316 L

Internal part for floor mounted bath shower mixer



Flow rate aerator 5 l/min / 1.3 gpm, water saving

MAINTENANCE

DO NOT USE		chloric and muriatic acid
		hydrofluoric acid
		chlorine bleach
TO USE		neutral pH detergent

