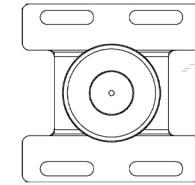


Ma 141



Ma 141
Internal part for toilet mixer

QOOP

Stainless steel 316L

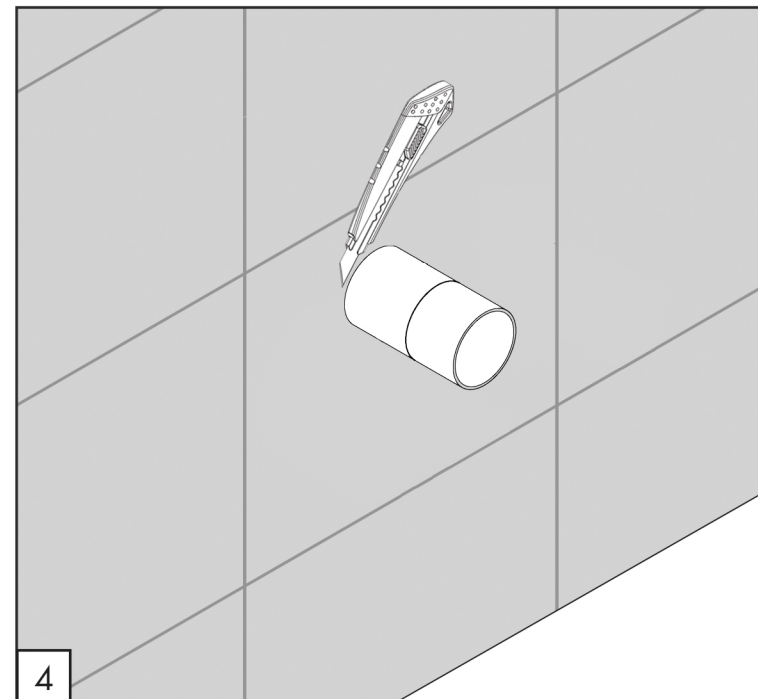
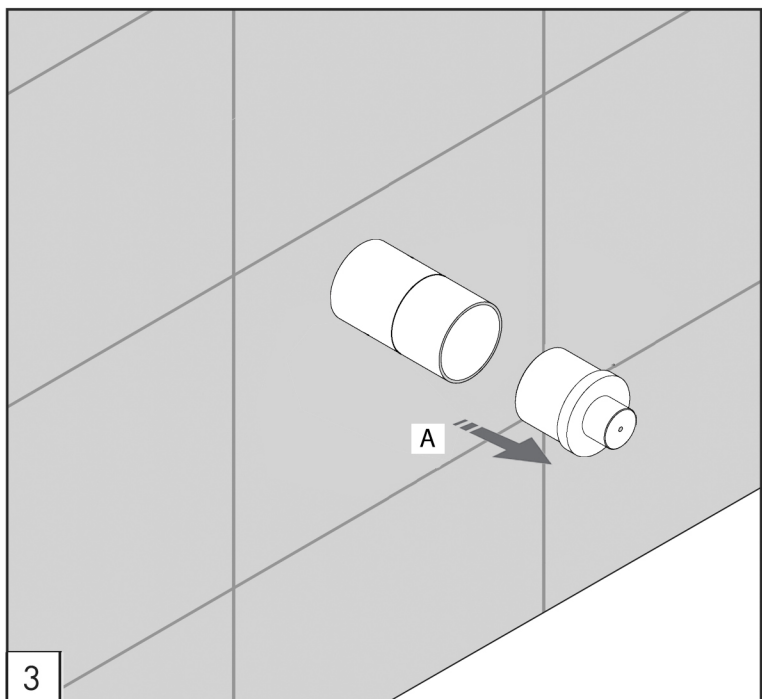
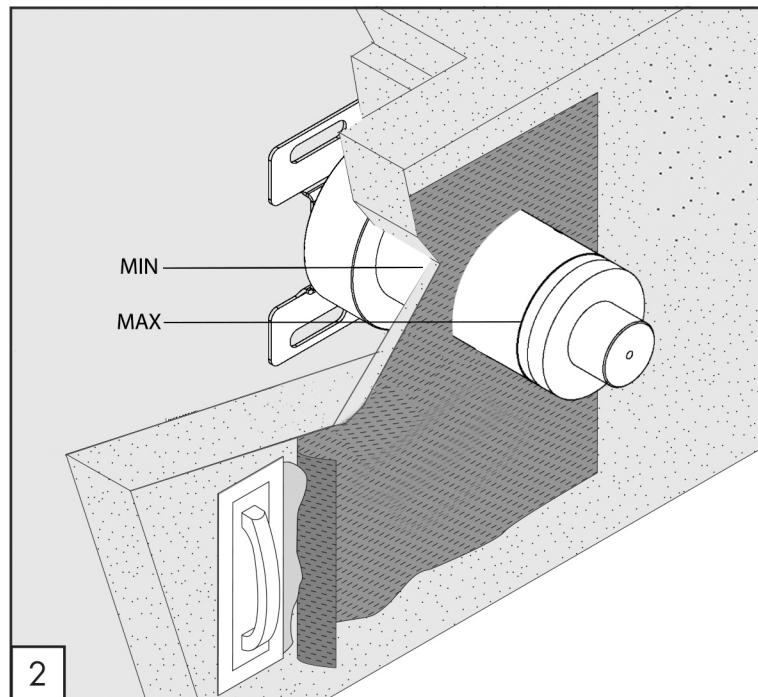
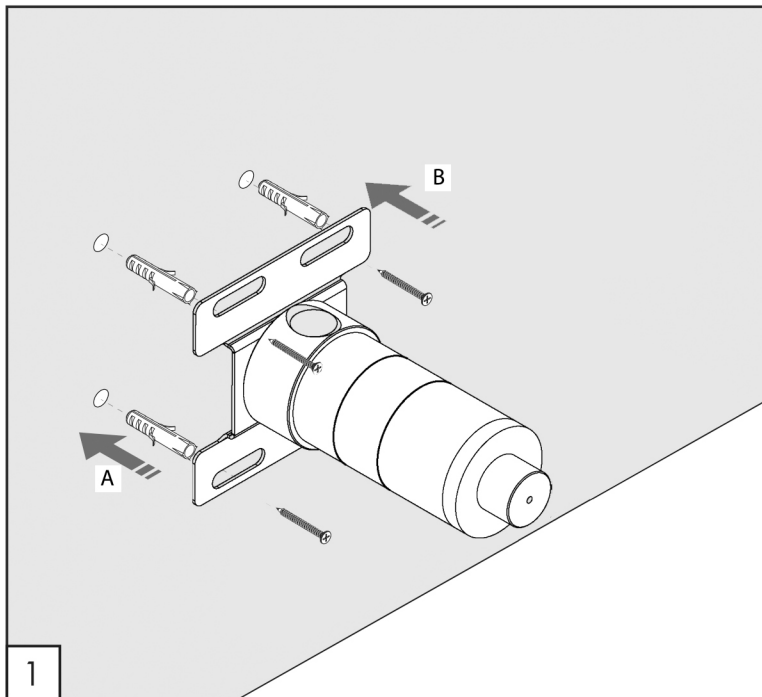


Flow rate aerator 5 l/min / 1.3 gpm, water saving

MAINTENANCE

DO NOT USE		chloric and muriatic acid
		hydrofluoric acid
		chlorine bleach
TO USE		neutral pH detergent







Ma 141

TECHNICAL WARNINGS

The pipes have to be rinsed thoroughly before installation.
Avoid pressure differences between hot and cold water supply.
Use of a pressure reducer when static pressure is higher than 5 bar to avoid damage of the cartridge.

WORKING TEMPERATURE

 max. 70 °C
 max. 158 °F

