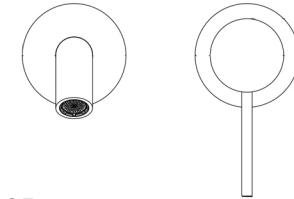


Nva 05



Nva 05

Wall mounted basin mixer -42

QOOP

Stainless steel 316L



Flow rate aerator 5 l/min / 1.3 gpm, water saving



Product that needs built-in part

MAINTENANCE

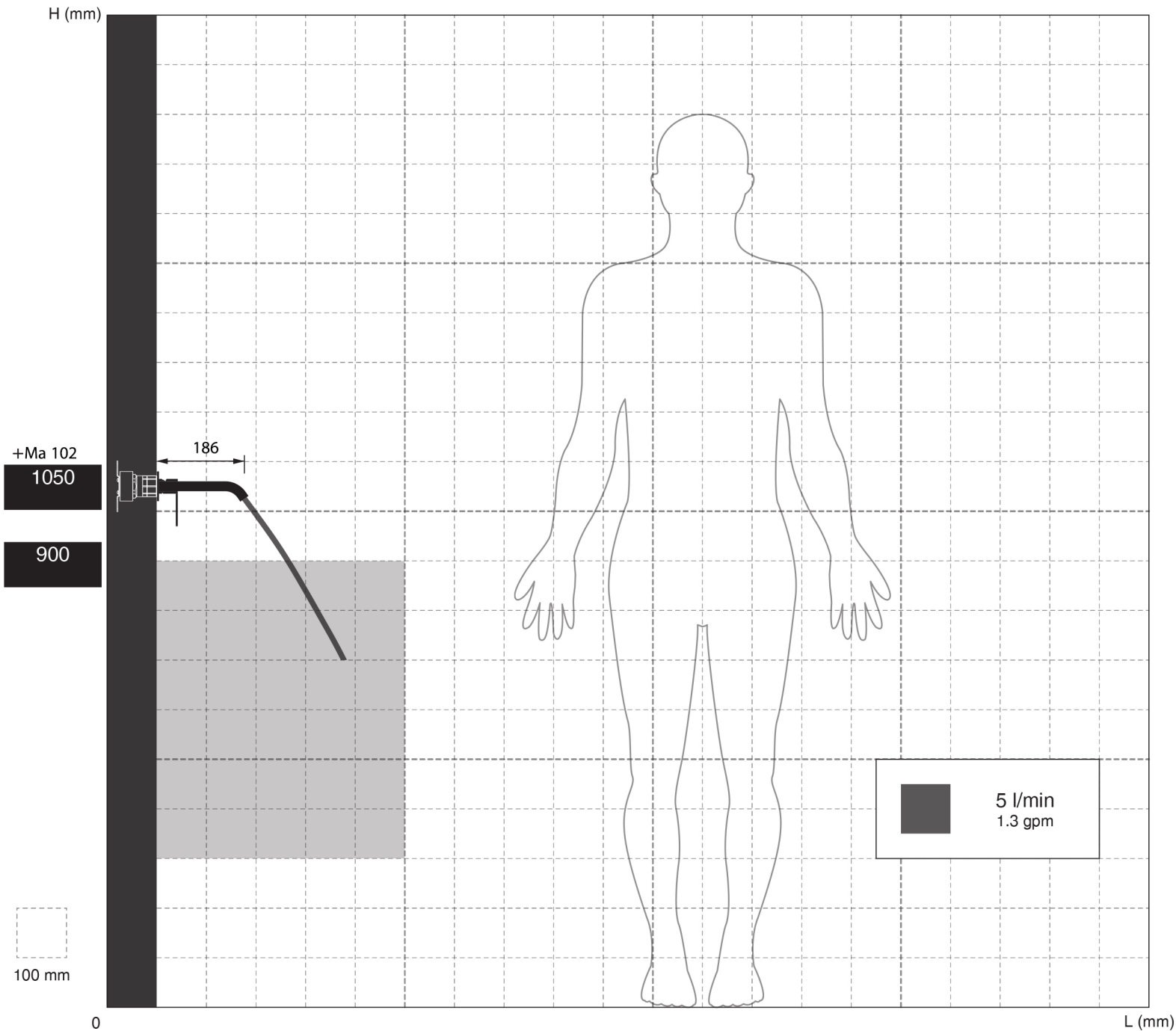
DO NOT USE		chloric and muriatic acid
		hydrofluoric acid
		chlorine bleach
TO USE		neutral pH detergent



Nva 05

INSTALLATION WARNINGS

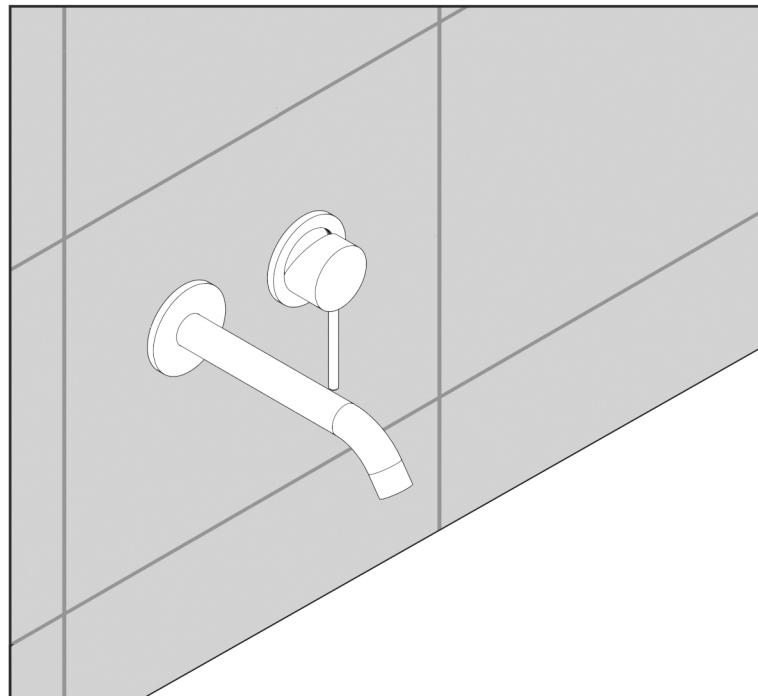
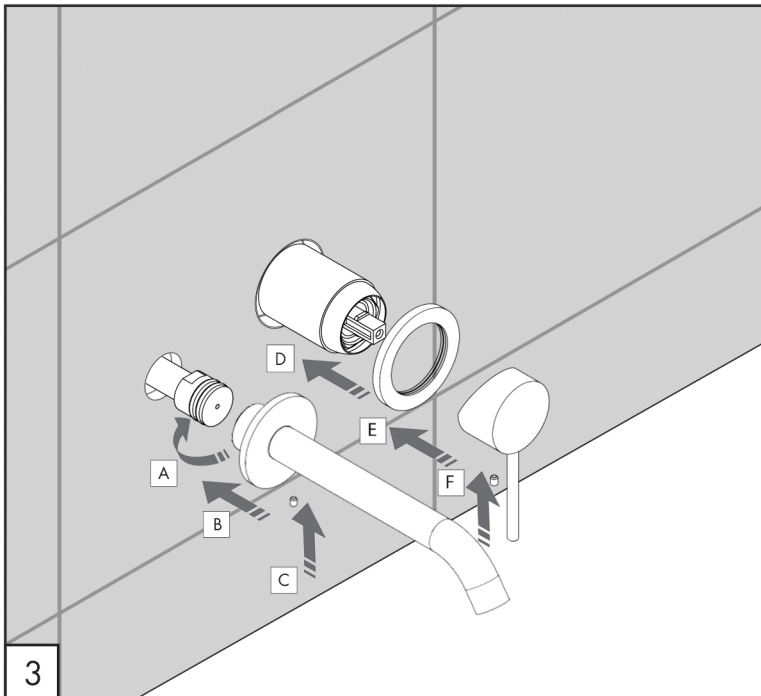
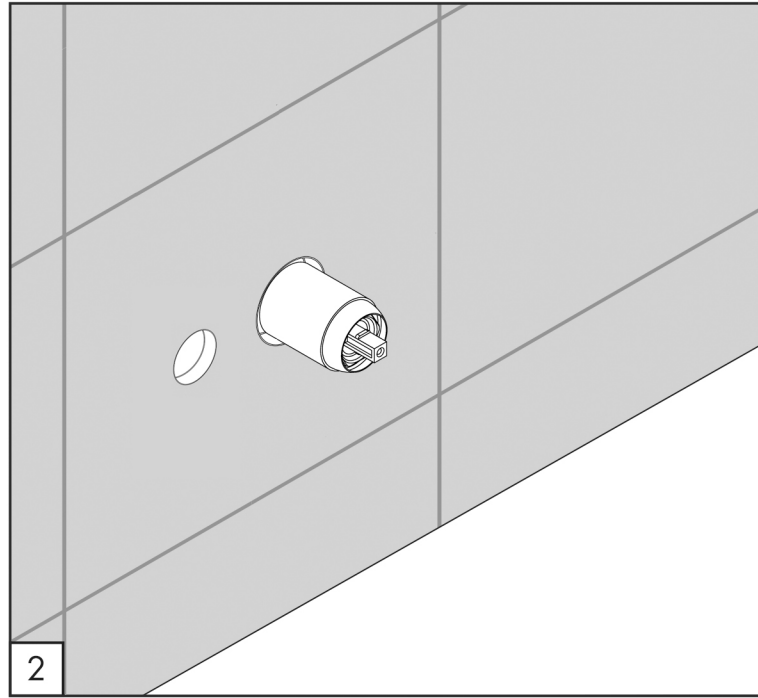
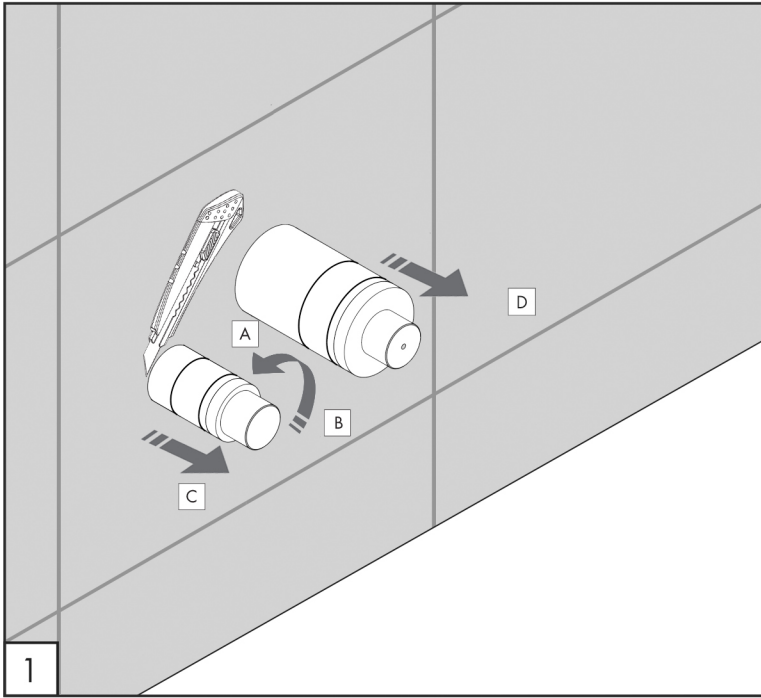
Each individual product has to be installed and adjusted to suit the user's and the washbasin height.
The representation is purely indicative.



AERATOR INCLUDED

 *Mounted aerator*
5 l/min / 1.3 gpm







Nva 05

TECHNICAL WARNINGS

The pipes have to be rinsed thoroughly before installation.
Avoid pressure differences between hot and cold water supply.
Use of a pressure reducer when static pressure is higher than 5 bar to avoid damage of the cartridge.

WORKING TEMPERATURE

 max. 70 °C
 max. 158 °F

